	Stadsing A/S	Version 0
	Oestre Faelledvej 13 - 9400 Noeresundby	Revision A
	Replaces specification no. <i>n/a</i> From: <i>n/a</i> Due to: <i>n/a</i>	Date: 2021.05.21
		Page 1 of 2
Code: 5640 - E200230	Article: clear EU320 cup PET 250/320ml (SET B)	UPC: 5907739664082
	Specification no. clear EU320 Ø78xH114,9	Food contact: cold beverages
Prepared by: UN		CE mark: Yes
Checked by: Dept. Super.	Production Supervisor: Dept. Super.	
Attachments:	Article drawing: EU320; Nr. Formy # 17.5363	

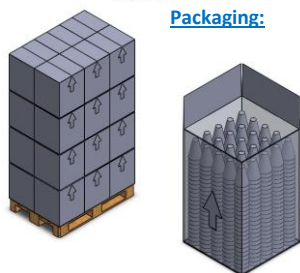
pic:



I. General arrangement

PACCOR Polska Sp. z o. o. will deliver the article **EU320 cup PET 250/320ml (SET B)** according to and within the limits of this article specification. Supplier food contact safety declaration will follow.

Basic article characteristics are outlined in the attached article drawing: "EU320". No modifications to the article characteristics listed below are allowed, unless agreed to by both parties and expressed in writing and signed/autographed. ID as per box no. and production date (label).

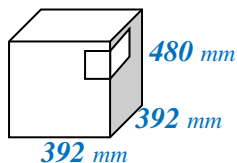


Packaging:

II. Raw material specification

Compounds	Basic composition	Alternative
Name	50% R-PET /	R-PET flakes up to
Percentage	50% VIRGIN	80%
Name	0%	0%
Percentage		
Name	0%	0,0%
Percentage		

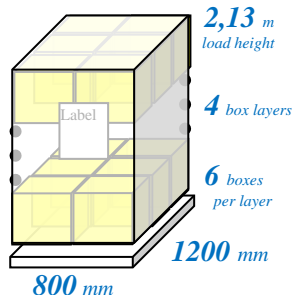
Box inner size:



III. Sheet specification

Parameter	Value	Tolerance
Thickness	1,28 mm	±0,07 mm
Width	690,0 mm	+2/-5 mm
Color*	clear	BWTC
Layers	mono-layer	

Palletizing:



IV. Basic article characteristics

Parameter	Value	Tolerance
Length (or Ø)	78, mm	±0,5 mm
Width (or Ø)	78, mm	±0,5 mm
Height	114,9 mm	±0,5 mm
Stacking distance	7,40 mm	±0,2 mm
Weight	8,2 g	±0,45 g
Capacity nominal / brimful	250 / 320 ml	±11 ml
Reference*:	EU320 cup PET 250/320ml (SET B)	

*B – black, W – white, T – transparent, C – any color

Articles in a pile: **50**

Piles in a box: **25**

Articles in a box: **1250**

Box inner size: **392x392x480**

Box load gross: **11,08 kg**

Boxes per pallet: **24**

Articles per pallet: **30000**

Pallet height: **2,13 m**

Pallet type: **EURO**

Pallets per truck: **33**

FTL: **990000**

Packaging conditions:

- Wooden pallets, clean, dry
- On pallet top: **film**
- Box liner: **LDPE G380058 PÓLREKAW LD 235/0,022 22µ**
- Labels per pallet sides: **2**
- Corner box label: **Yes**
- Customer label: **No**
- Box: **cardboard G300018 - 620829**

V. Microbiology tests

Once a month a comparative microbiology test of factory air is run against external air, with air circling articles examination in material groups (rotating) against internal normative levels. Records are kept for a minimum of three years and their values are available to the buyer.

VI. Delivery & Storage:

Deliveries according to transport regulations, details on the left. Store in dry, clean, shaded areas, away from heat sources, 10-40°C, RH<85%. Articles good to use within a year from production date, if properly stored.

VII. Other

In case of change in article use or processing the recipient is obligated to contact the supplier with pertaining details as soon as possible.

VIII. Signed approval

H&Q Manager	Buyer Representative:	
Monika Mikulska		
Date: 2021.05.21	Date: 2021.05.21	Date:

- Remarks: **No separation between box layers on pallet - Absorption pads: No: weight: n/a - Stacking: A-A - Sleeve label: yes**



Stadsing A/S
Oestre Faelledvej 13 - 9400 Noeresundby

Version **0**

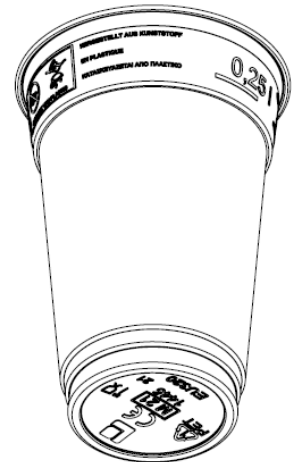
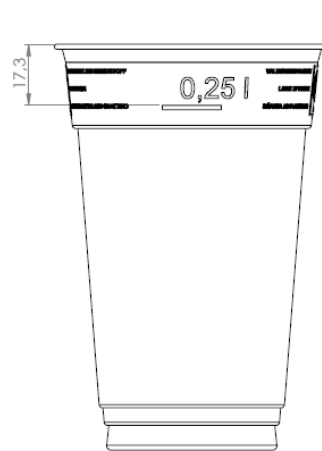
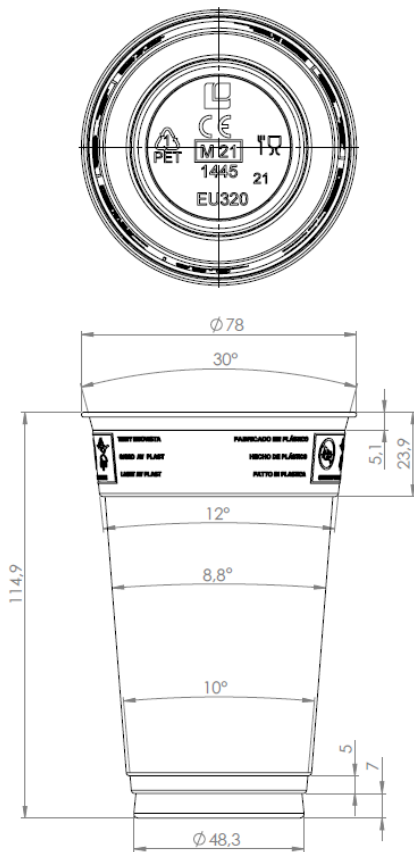
Revision **A**

Replaces specification no. *n/a*
 From: *n/a* Due to: *n/a*

Date: **2021.05.21**

Page 2 of 2

Code: 5640 - E200230	Article: clear EU320 cup PET 250/320ml (SET B)	UPC: 5907739664082
Prepared by: UN	Specification no. clear EU320 Ø78xH114,9	Food contact: cold beverages
Checked by: Dept. Super.	Production Supervisor: Dept. Super.	CE mark: Yes
Attachments:	Article drawing: EU320; Nr. Formy # 17.5363	



NARYS:	DATA:	MODYFIKACJA:	PODPIS:
PELNA NAZWA: EU320_V1			
NAZWA HANDLOWA: EU320_V1 WEST			
IME I NAZWISKO:	DATA:	MATERIAL:	SKALA:
S. Pryk	27.04.2021	PET	1:1
SPRAWDZ:	S. Pryk	27.04.2021	NR RYSUNKU: EU320_V1 WEST

Własność PACCOR POLSKA, użycie bez pisemnego zezwolenia zabronione.