

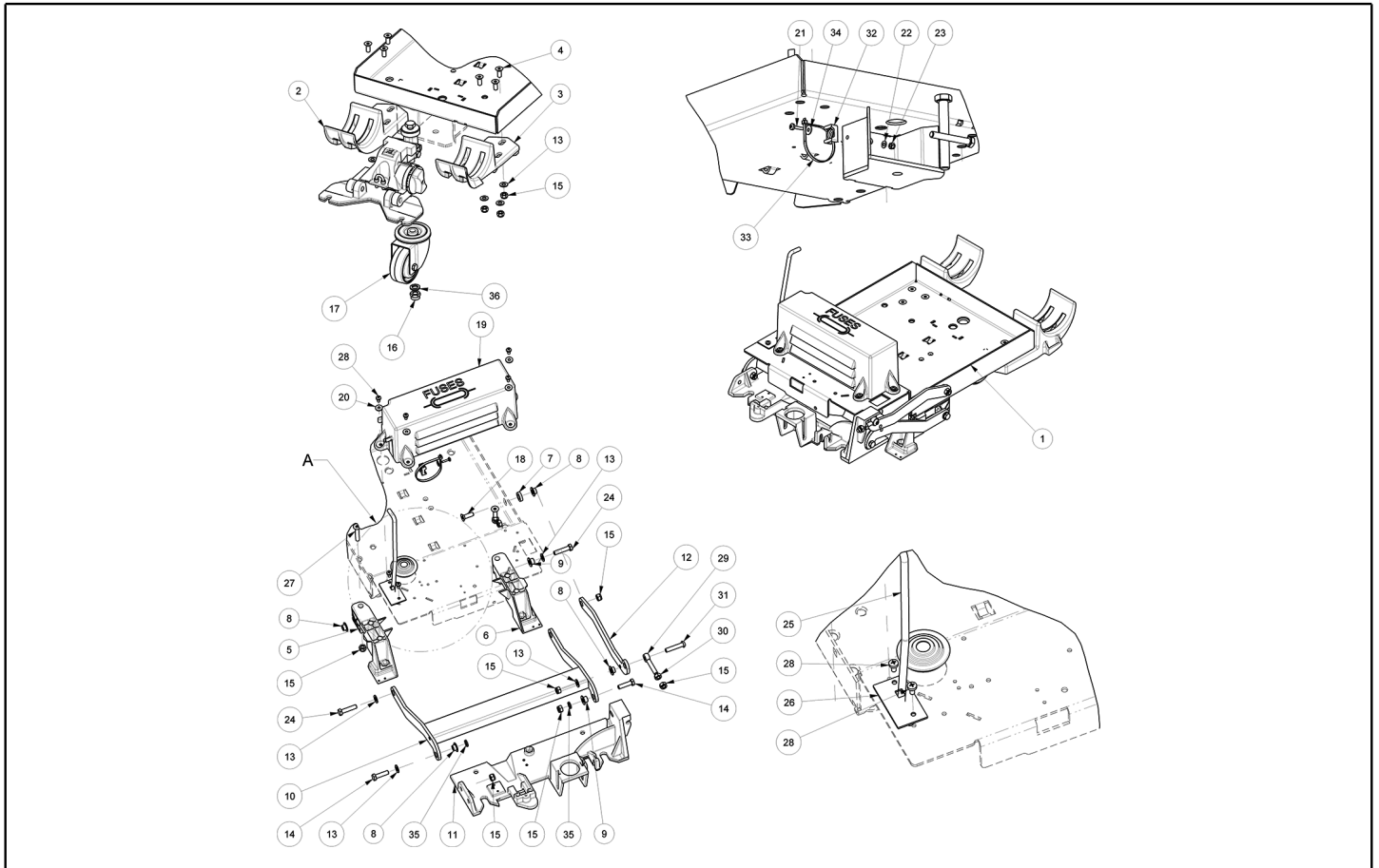


IPC

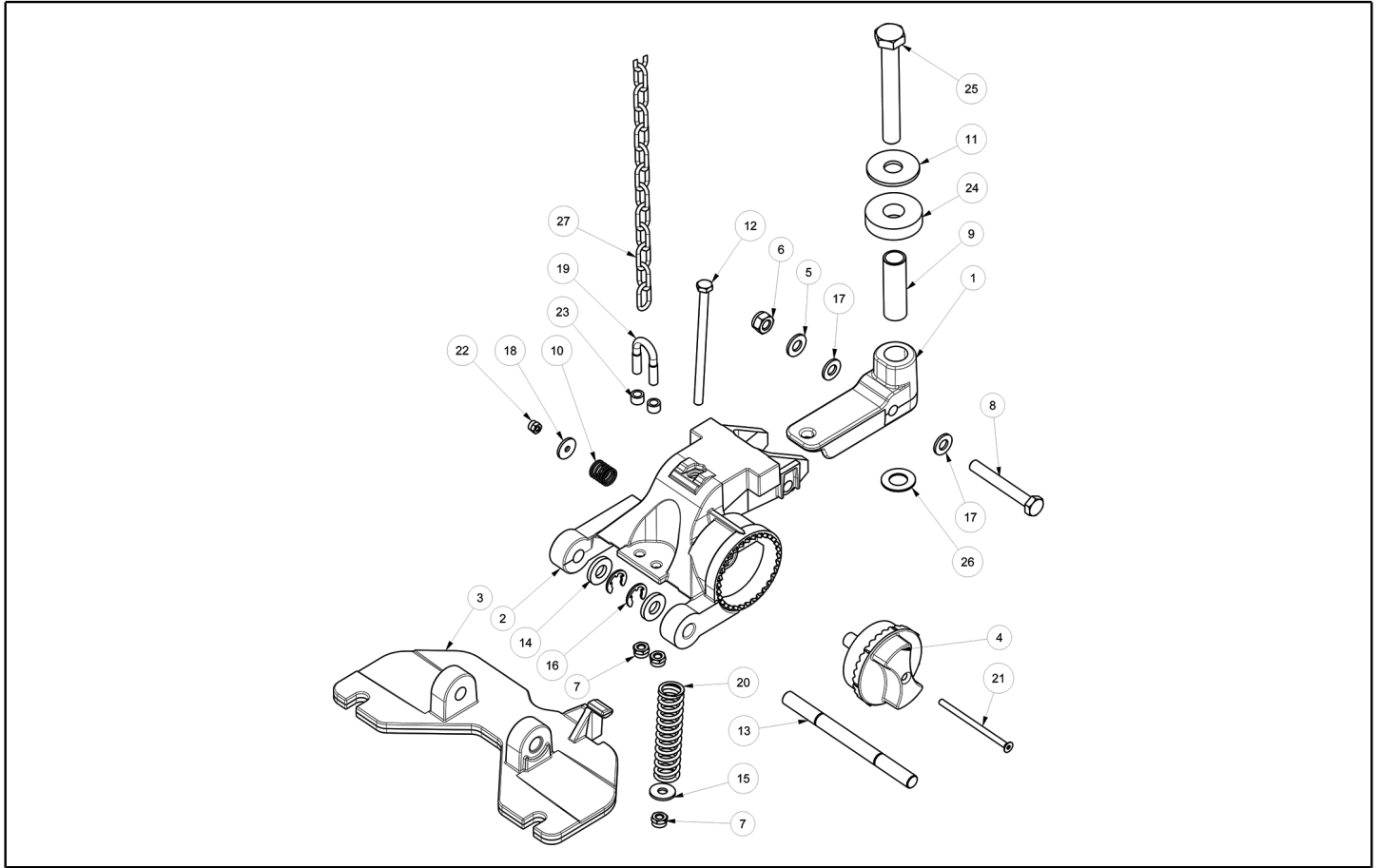
Spare Parts List

Ref: LPTB02980

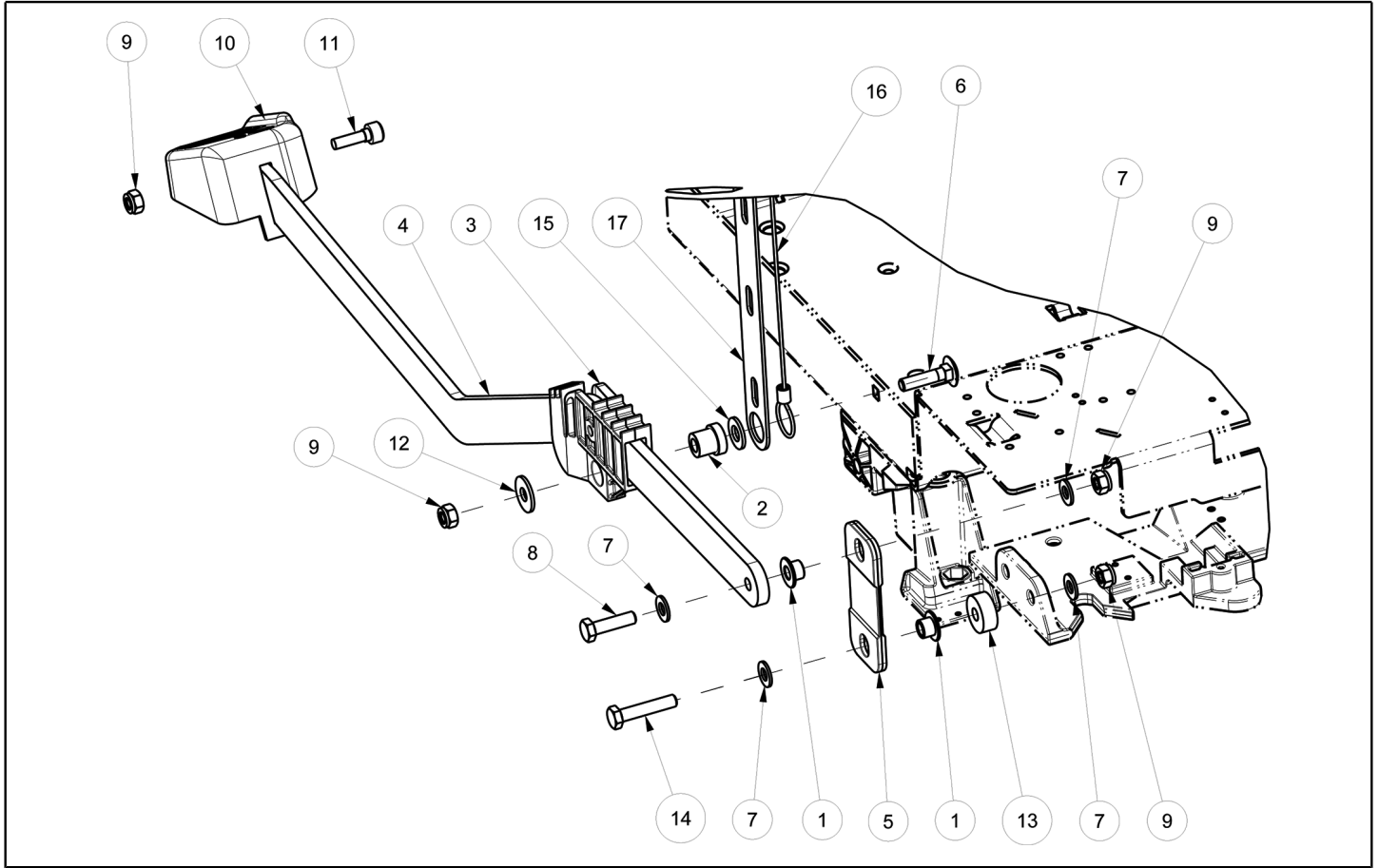
Model: FLOOR WASHER CT51 BT55+CB VE



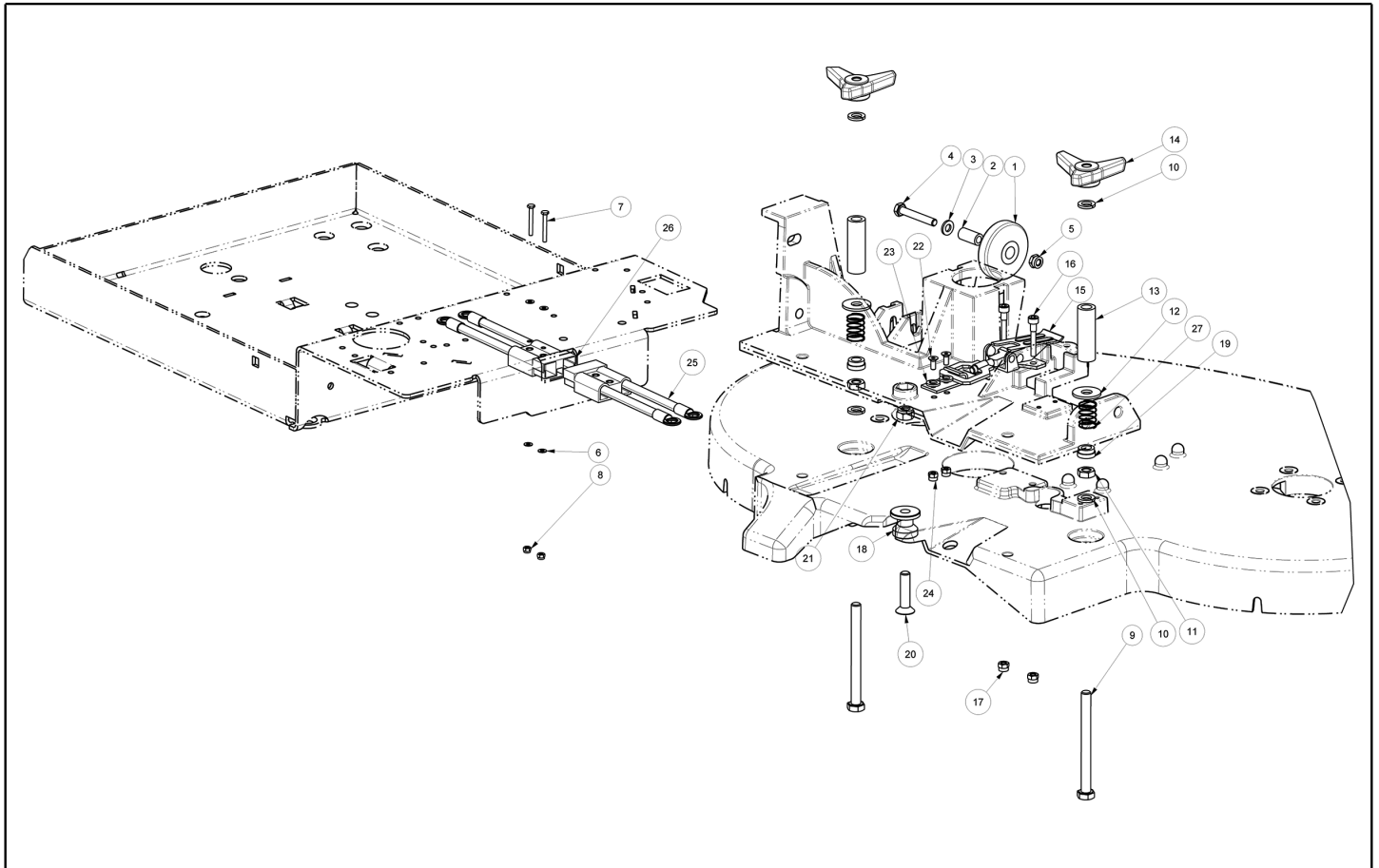
| Ref. K | Part N. | Customer Part N. | Description | Quantity | Validity | | Price |
|--------|---------|------------------|---------------------------------|----------|----------|----|-------|
| | | | | | From | To | |
| 0001 | | | FRAME CT50/70 | 1,00 | | | -- |
| 0002 | | | SUPPORT - | 1,00 | | | -- |
| 0003 | | | SUPPORT - | 1,00 | | | -- |
| 0004 | | | SCREW TSPEI M8X20 | 6,00 | | | -- |
| 0005 | | | SUPPORT - | 1,00 | | | -- |
| 0006 | | | SUPPORT - | 1,00 | | | -- |
| 0007 | | | SPACER - | 1,00 | | | -- |
| 0008 | | | BUSHING PARALLELOGRAMMA | 4,00 | | | -- |
| 0009 | | | BUSHING - | 2,00 | | | -- |
| 0010 | | | ARM - | 1,00 | | | -- |
| 0011 | | | BRACKET BRUSH HEAD SUPPORT CT51 | 1,00 | | | -- |
| 0012 | | | LEVER - | 1,00 | | | -- |
| 0013 | | | WASHER D. 8 INX UNI 6592 | 10,00 | | | -- |
| 0014 | | | SCREW TE M8x30 | 2,00 | | | -- |
| 0015 | | | NUT M 8 INX | 15,00 | | | -- |
| 0016 | | | NUT M.12 INOX A2 BASSO AUTOB. | 1,00 | | | -- |
| 0017 | 816645 | | WHEEL CASTOR D.80X30 | 1,00 | | | -- |
| 0018 | | | SCREW TSPEI M.8-25 | 1,00 | | | -- |
| 0019 | | | COVERING ELECTRONIC BOX CT51 | 1,00 | | | -- |
| 0020 | | | WASHER D. 5X14 INX | 4,00 | | | -- |
| 0021 | | | SCREW M4X16 | 1,00 | | | -- |
| 0022 | | | WASHER D. 4 INX | 1,00 | | | -- |
| 0023 | | | NUT M 4 ATB A2 | 1,00 | | | -- |
| 0024 | | | SCREW TE M8x35 UNI5739 INOX | 3,00 | | | -- |
| 0025 | | | PIN - | 1,00 | | | -- |
| 0026 | | | PLATE - | 1,00 | | | -- |
| 0027 | | | SCREW TSPEI 8X45 UNI5933 INX | 2,00 | | | -- |
| 0028 | | | SCREW M 4X 8 TCB-TC UNI 8112 | 6,00 | | | -- |
| 0029 | | | TIE ROD - | 1,00 | | | -- |
| 0030 | | | NUT M 8 INX A2 UNI 5588 | 1,00 | | | -- |
| 0031 | | | SCREW M8X40 | 1,00 | | | -- |
| 0032 | | | SUPPORT . | 1,00 | | | -- |
| 0033 | | | CLAMP 4,5x200 black | 1,00 | | | -- |
| 0034 | | | WASHER STEEL INOX 4X12 | 1,00 | | | -- |
| 0035 | | | WASHER D. 8 INX GRW UNI 1751 | 2,00 | | | -- |
| 0036 | | | WASHER D.12 GROVER UNI 1751 INX | 1,00 | | | -- |



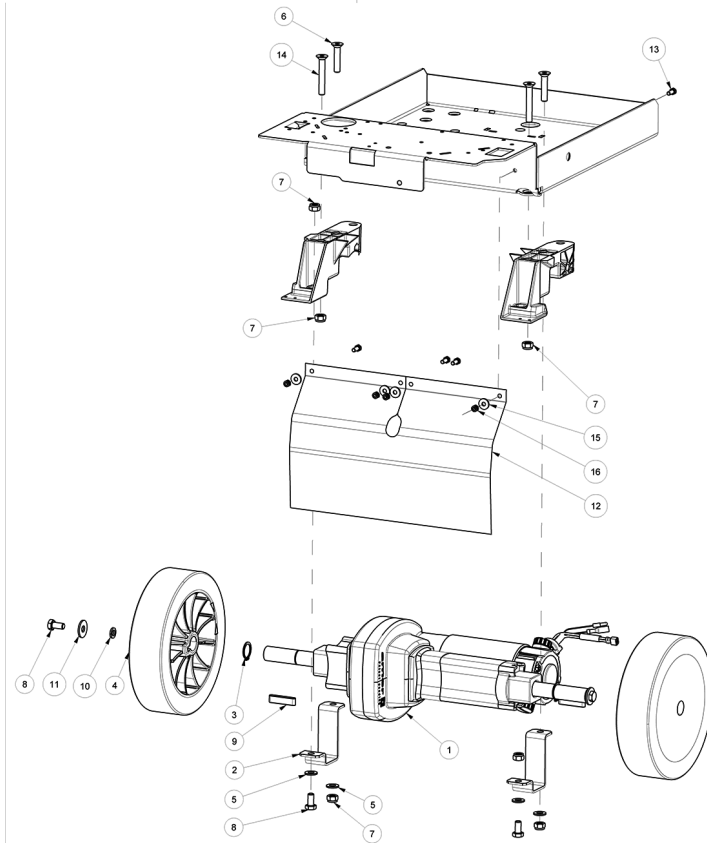
| Ref. K | Part N. | Customer Part N. | Description | Quantity | Validity | | Price |
|--------|---------|------------------|----------------------------------|----------|----------|----|-------|
| | | | | | From | To | |
| 0001 | 819088 | | SUPPORT PIVOT SQUEEGEE CT51-71 | 1,00 | | | -- |
| 0002 | 819089 | | SUPPORT REGULATION SQUEEGEE CT51 | 1,00 | | | -- |
| 0003 | 819090 | | SUPPORT SQUEEGEE CT51 | 1,00 | | | -- |
| 0004 | 819091 | | KNOB SQUEEGEE ANGLE ADJUSTMENT | 1,00 | | | -- |
| 0005 | 816795 | | WASHER D. 8 INX UNI 6592 | 1,00 | | | -- |
| 0006 | 816731 | | NUT M 8 INX | 1,00 | | | -- |
| 0007 | 816807 | | NUT M6 INOX | 3,00 | | | -- |
| 0008 | | | SCREW 8X60 | 1,00 | | | -- |
| 0009 | | | BUSHING 13X16X51 | 1,00 | | | -- |
| 0010 | 819238 | | SPRING SQUEEGEE KNOB | 1,00 | | | -- |
| 0011 | | | WASHER UNI 6593 12X36X2,5 | 1,00 | | | -- |
| 0012 | | | SCREW TE M6x100 | 1,00 | | | -- |
| 0013 | 819193 | | PIN FOR SQUEEGEE SUPPORT CT51 | 1,00 | | | -- |
| 0014 | 819194 | | WASHER - | 2,00 | | | -- |
| 0015 | | | WASHER D. 6X18 INX UNI 6593 | 1,00 | | | -- |
| 0016 | | | SEEGER RADIALE UNI 7434 D.10 | 2,00 | | | -- |
| 0017 | 816988 | | WASHER NYLON 66 D.8,4-17-2 UNI | 2,00 | | | -- |
| 0018 | | | WASHER 4-16 INOX A2 | 1,00 | | | -- |
| 0019 | | | BRACKET M6X11X29 | 1,00 | | | -- |
| 0020 | 819092 | | SPRING - | 1,00 | | | -- |
| 0021 | | | SCREW 4X70 UNI 5933 | 1,00 | | | -- |
| 0022 | | | NUT M 4 INX | 1,00 | | | -- |
| 0024 | | | WASHER 15X40 | 1,00 | | | -- |
| 0025 | | | SCREW HEX HEAD M12 UNI5737 8.8 | 1,00 | | | -- |
| 0026 | | | WASHER ELAST.ONDUL.DI 13 | 1,00 | | | -- |
| 0027 | 819093 | | CHAIN SQUEEGEE LIFTING CT51 | 1,00 | | | -- |



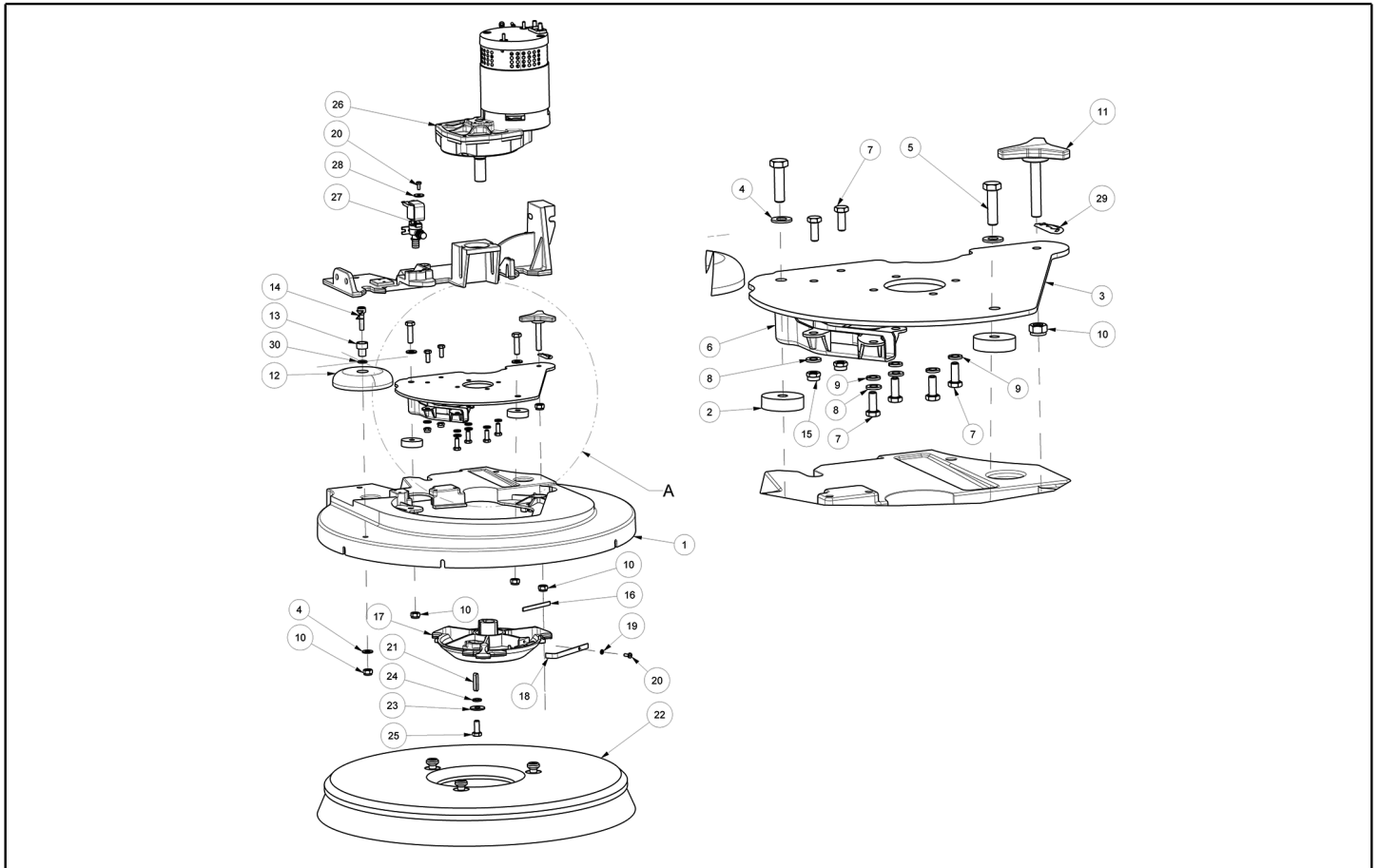
| Ref. K | Part N. | Customer Part N. | Description | Quantity | Validity | | Price |
|--------|---------|------------------|--------------------------------|----------|----------|----|-------|
| | | | | | From | To | |
| 0001 | | | BUSHING - | 2,00 | | | -- |
| 0002 | | | SPACER | 1,00 | | | -- |
| 0003 | | | SUPPORT LIFTING PEDAL CT51 | 1,00 | | | -- |
| 0004 | | | LEVER - | 1,00 | | | -- |
| 0005 | | | PLATE LINK PEDAL-BRUSH HEAD 51 | 1,00 | | | -- |
| 0006 | | | SCREW TTQDE M8X35 | 1,00 | | | -- |
| 0007 | 816795 | | WASHER D. 8 INX UNI 6592 | 4,00 | | | -- |
| 0008 | | | SCREW TE M 8X 30 INX UNI 5739 | 1,00 | | | -- |
| 0009 | 816731 | | NUT M 8 INX | 4,00 | | | -- |
| 0010 | | | PEDAL HEAD LIFTING | 1,00 | | | -- |
| 0011 | | | SCREW TCEI 8X25 | 1,00 | | | -- |
| 0012 | 814014 | | WASHER D. 8 X24 INX UNI 6593 | 1,00 | | | -- |
| 0013 | | | SPACER | 1,00 | | | -- |
| 0014 | | | SCREW TE M. 8-40 | 1,00 | | | -- |
| 0015 | | | WASHER D.10 X21 INOX UNI 6592 | 1,00 | | | -- |
| 0016 | | | CABLE STEEL SAFETY CT51-71 | 1,00 | | | -- |
| 0017 | | | GUIDE CT51-71 | 1,00 | | | -- |



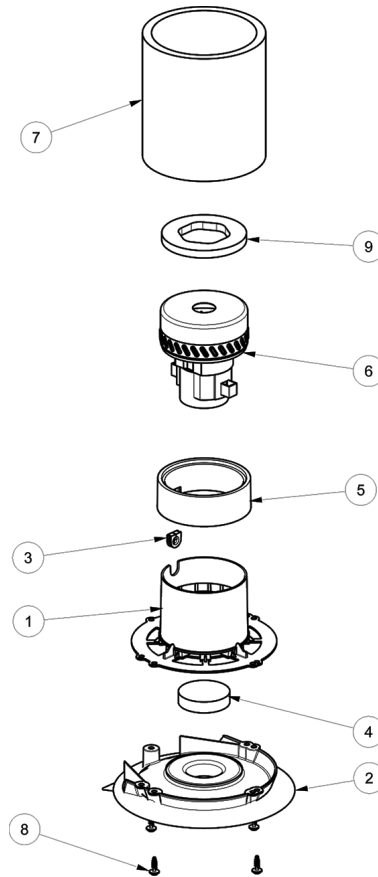
| Ref. K | Part N. | Customer Part N. | Description | Quantity | Validity | | Price |
|--------|---------|------------------|----------------------------------|----------|----------|----|-------|
| | | | | | From | To | |
| 0001 | | | WHEEL D.50X17 - HOLE 10.5 | 1,00 | | | -- |
| 0002 | 819151 | | SPACER | 1,00 | | | -- |
| 0003 | 816754 | | WASHER D.6 UNI 6592 INOX | 1,00 | | | -- |
| 0004 | | | SCREW TE 6X40 UNI5739 INX | 1,00 | | | -- |
| 0005 | 811884 | | NUT M6 INOX | 1,00 | | | -- |
| 0006 | 816467 | | WASHER D. 3 INX | 4,00 | | | -- |
| 0007 | | | SCREW TE UNI 5739 3X25 ZB | 2,00 | | | -- |
| 0008 | 819142 | | NUT M 3 AUTOBL.DIN 985 IX.A2 | 2,00 | | | -- |
| 0009 | | | SCREW TE 8X90 UNI5739 | 2,00 | | | -- |
| 0010 | | | WASHER D. 8 INX GRW UNI 1751 | 4,00 | | | -- |
| 0011 | | | NUT UNI 5589 M8 BASSO ZB | 2,00 | | | -- |
| 0012 | 814014 | | WASHER D. 8 X24 INX UNI 6593 | 2,00 | | | -- |
| 0013 | | | SPACER - | 2,00 | | | -- |
| 0014 | 814030 | | SMALL KNOB YELLOW M8 F | 2,00 | | | -- |
| 0015 | | | HOOK BRUSH HEAD CT51 | 1,00 | | | -- |
| 0016 | | | SCREW TCEI M. 5-30 | 2,00 | | | -- |
| 0017 | | | NUT M 5 INX | 2,00 | | | -- |
| 0018 | | | PIN - | 1,00 | | | -- |
| 0019 | | | SPACER - | 2,00 | | | -- |
| 0020 | | | SCREW TSPEI 8X35 UNI5933 INX | 1,00 | | | -- |
| 0021 | 816731 | | NUT M 8 INX | 1,00 | | | -- |
| 0022 | | | SCREW TSCE uni 5933 4x12 ZB | 2,00 | | | -- |
| 0023 | 814033 | | WASHER D. 6 INX GRW UNI 1751 | 2,00 | | | -- |
| 0024 | | | NUT M 4 INX | 2,00 | | | -- |
| 0025 | 810256 | | WIRING BRUSH HEAD MOTORS CT51-71 | 1,00 | | | -- |
| 0026 | 810256 | | WIRING BOARD BRUSH HEAD CT51-71 | 1,00 | | | -- |
| 0027 | | | SPRING - | 2,00 | | | -- |



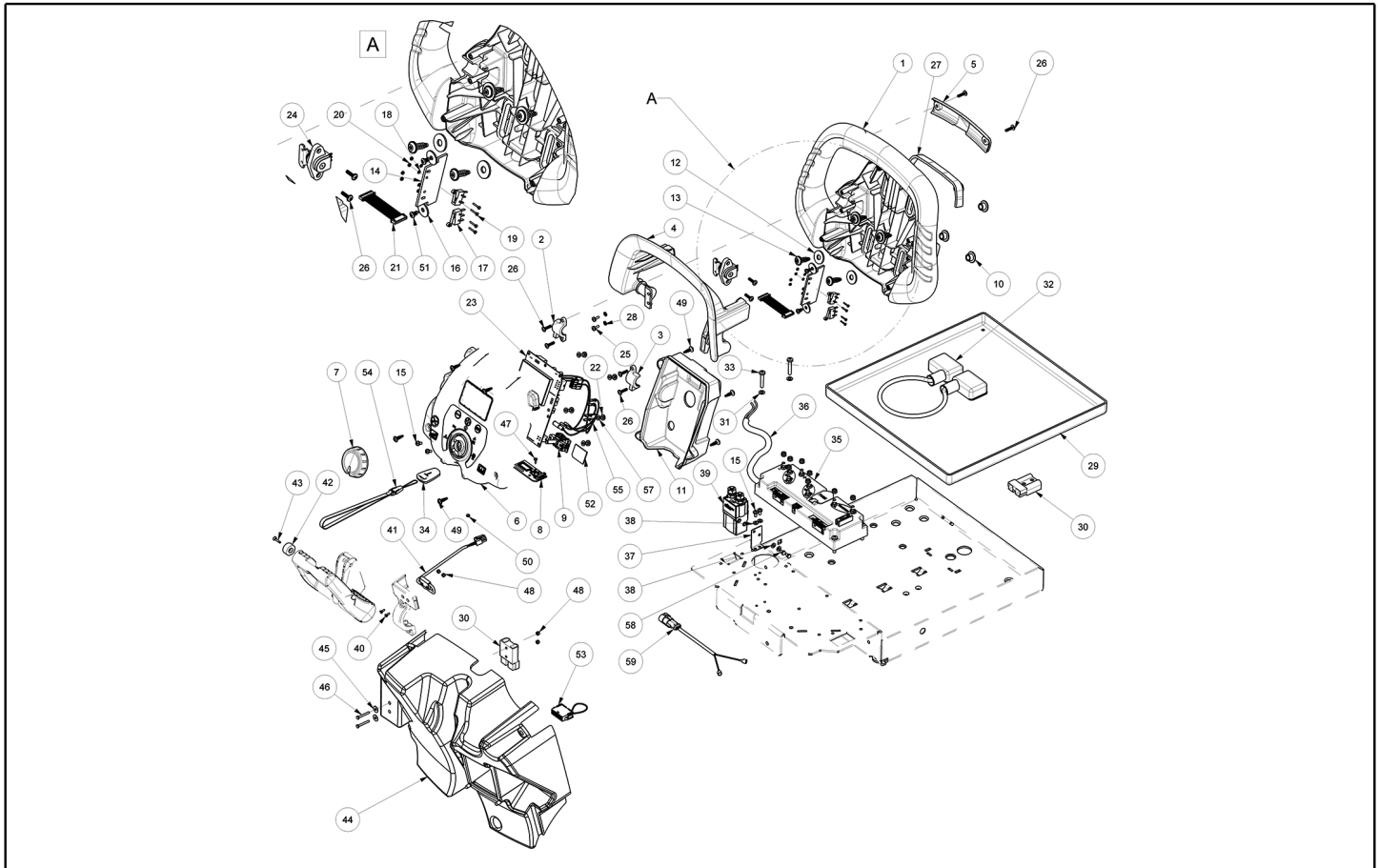
| Ref. K | Part N. | Customer Part N. | Description | Quantity | Validity | | Price |
|--------|---------|------------------|--------------------------------|----------|----------|----|-------|
| | | | | | From | To | |
| 0001 | 819042 | | MOTOR TRACTION 24V 200W | 1,00 | | | -- |
| 0001 | | | CARBON FOR MOCC86902-MOCC00395 | 1,00 | | | -- |
| 0002 | | | SUPPORT - | 2,00 | | | -- |
| 0003 | | | CIRCLIP D. 20 UNI 7435 | 2,00 | | | -- |
| 0004 | | | WHEEL D.200 | 2,00 | | | -- |
| 0005 | 816795 | | WASHER D. 8 INX UNI 6592 | 4,00 | | | -- |
| 0006 | | | SCREW M8X40 UNI933 A2 | 2,00 | | | -- |
| 0007 | 816731 | | NUT M 8 INX | 6,00 | | | -- |
| 0008 | 816465 | | SCREW TE M 8X 16 UNI 5739 A2 | 4,00 | | | -- |
| 0009 | | | KEY 6X10X40 UNI 6604 A (H.10) | 2,00 | | | -- |
| 0010 | | | WASHER D. 8 INX GRW UNI 1751 | 2,00 | | | -- |
| 0011 | 814014 | | WASHER D. 8 X24 INX UNI 6593 | 2,00 | | | -- |
| 0012 | | | FLAP . | 1,00 | | | -- |
| 0013 | 811883 | | SCREW TE M5X12 INOX | 4,00 | | | -- |
| 0014 | | | SCREW M8x55 INOX | 2,00 | | | -- |
| 0015 | | | WASHER D. 5X14 INX | 4,00 | | | -- |
| 0016 | 816987 | | NUT M 5 INX | 4,00 | | | -- |



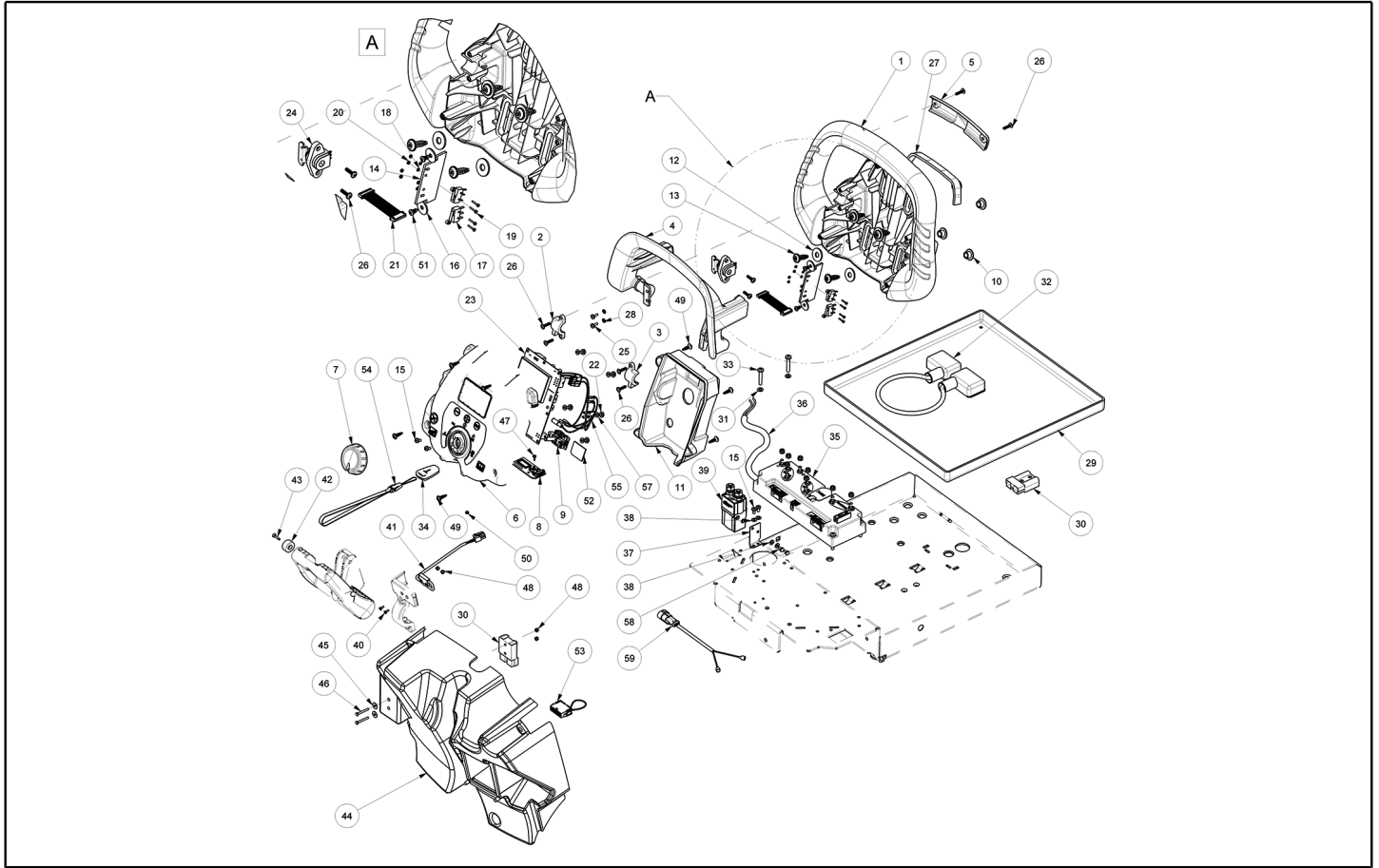
| Ref. K | Part N. | Customer Part N. | Description | Quantity | Validity | | Price |
|--------|---------|------------------|-----------------------------------|----------|----------|----|-------|
| | | | | | From | To | |
| 0001 | | | HEAD DECK ALUMINIUM 50-55 | 1,00 | | | -- |
| 0002 | | | WASHER 8X35 | 2,00 | | | -- |
| 0003 | | | PLATE - | 1,00 | | | -- |
| 0004 | 816795 | | WASHER D. 8 INX UNI 6592 | 3,00 | | | -- |
| 0005 | | | SCREW TE M 8X30 INX UNI 5737 | 2,00 | | | -- |
| 0006 | | | TUBE | 1,00 | | | -- |
| 0007 | 816797 | | SCREW TE 6X16 UNI5739 | 6,00 | | | -- |
| 0008 | 806754 | | WASHER D.6 UNI 6592 INOX | 4,00 | | | -- |
| 0009 | 814033 | | WASHER D. 6 INX GRW UNI 1751 | 4,00 | | | -- |
| 0010 | 816731 | | NUT M 8 INX | 5,00 | | | -- |
| 0011 | 819095 | | HANDWHEEL - | 1,00 | | | -- |
| 0012 | 814035 | | ROLLER SIDE BUMPER WHEEL | 1,00 | | | -- |
| 0013 | | | BUSHING NUOVO RUOTINO STRONG | 1,00 | | | -- |
| 0014 | | | SCREW TCEI M 8-30 | 1,00 | | | -- |
| 0015 | 811884 | | NUT M6 INOX | 2,00 | | | -- |
| 0016 | | | SPRING - | 1,00 | | | -- |
| 0017 | 819198 | | DRIVE DISK CONICAL ALUMINIUM | 1,00 | | | -- |
| 0018 | 819199 | | SPRING - | 1,00 | | | -- |
| 0019 | 817206 | | WASHER D. 4 GROVER A2 UNI1751 | 1,00 | | | -- |
| 0020 | | | SCREW TCB-TC 4X10 8112 | 2,00 | | | -- |
| 0021 | 816251 | | KEY 6X 6X30 UNI 6604 | 1,00 | | | -- |
| 0022 | 819021 | | BRUSH D 530 | 1,00 | | | -- |
| 0023 | 814014 | | WASHER D. 8 X24 INX UNI 6593 | 1,00 | | | -- |
| 0024 | | | WASHER D. 8 INX GRW UNI 1751 | 1,00 | | | -- |
| 0025 | | | SCREW TE 8X20 UNI5739 INX | 1,00 | | | -- |
| 0026 | 819041 | | MOTOR BRUSH CT51-71 BT55 | 1,00 | | | -- |
| 0026 | | | CARBON MOCC00449-MOCC00450 | 1,00 | | | -- |
| 0027 | 810272 | | SOLENOID VALVE HOLE 8mm CLEANTIME | 1,00 | | | -- |
| 0028 | | | WASHER 4-16 INOX A2 | 1,00 | | | -- |
| 0029 | 819096 | | LABEL - | 1,00 | | | -- |
| 0030 | 819133 | | GASKET | 1,00 | | | -- |



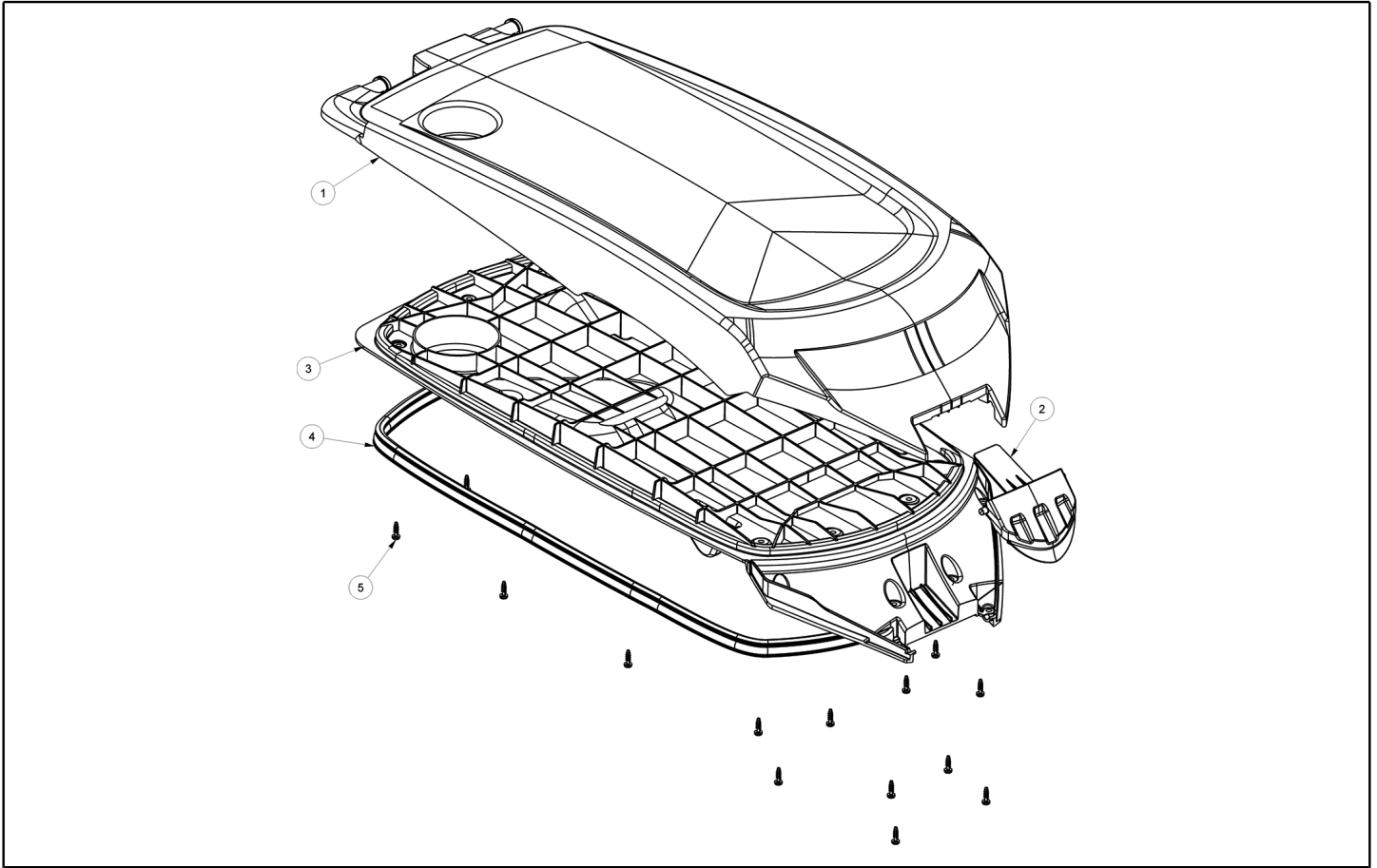
| Ref. K | Part N. | Customer Part N. | Description | Quantity | Validity | | Price |
|--------|---------|------------------|------------------------------------|----------|----------|----|-------|
| | | | | | From | To | |
| 0001 | | | SUPPORT VACUUM MOTOR 2 ST.CT51-71 | 1,00 | | | -- |
| 0002 | | | COVERING VACUUM MOTOR CT51-71 | 1,00 | | | -- |
| 0003 | | | FAIR-LEAD 14-747 | 1,00 | | | -- |
| 0004 | 819043 | | FILTER | 1,00 | | | -- |
| 0005 | | | GASKET - | 1,00 | | | -- |
| 0006 | 814022 | | MOTOR VACUUM 24 2-STAGES | 1,00 | | | -- |
| 0006 | | | CARBON BRUSHES FOR MOCC00401-407 | 1,00 | | | -- |
| 0007 | | | SOUND-PROOFING VAC. MOTOR EXTERNAL | 1,00 | | | -- |
| 0008 | | | SCREW 8x25 | 4,00 | | | -- |
| 0009 | 819045 | | GASKET VACUUM MOTOR CT51-71 | 1,00 | | | -- |



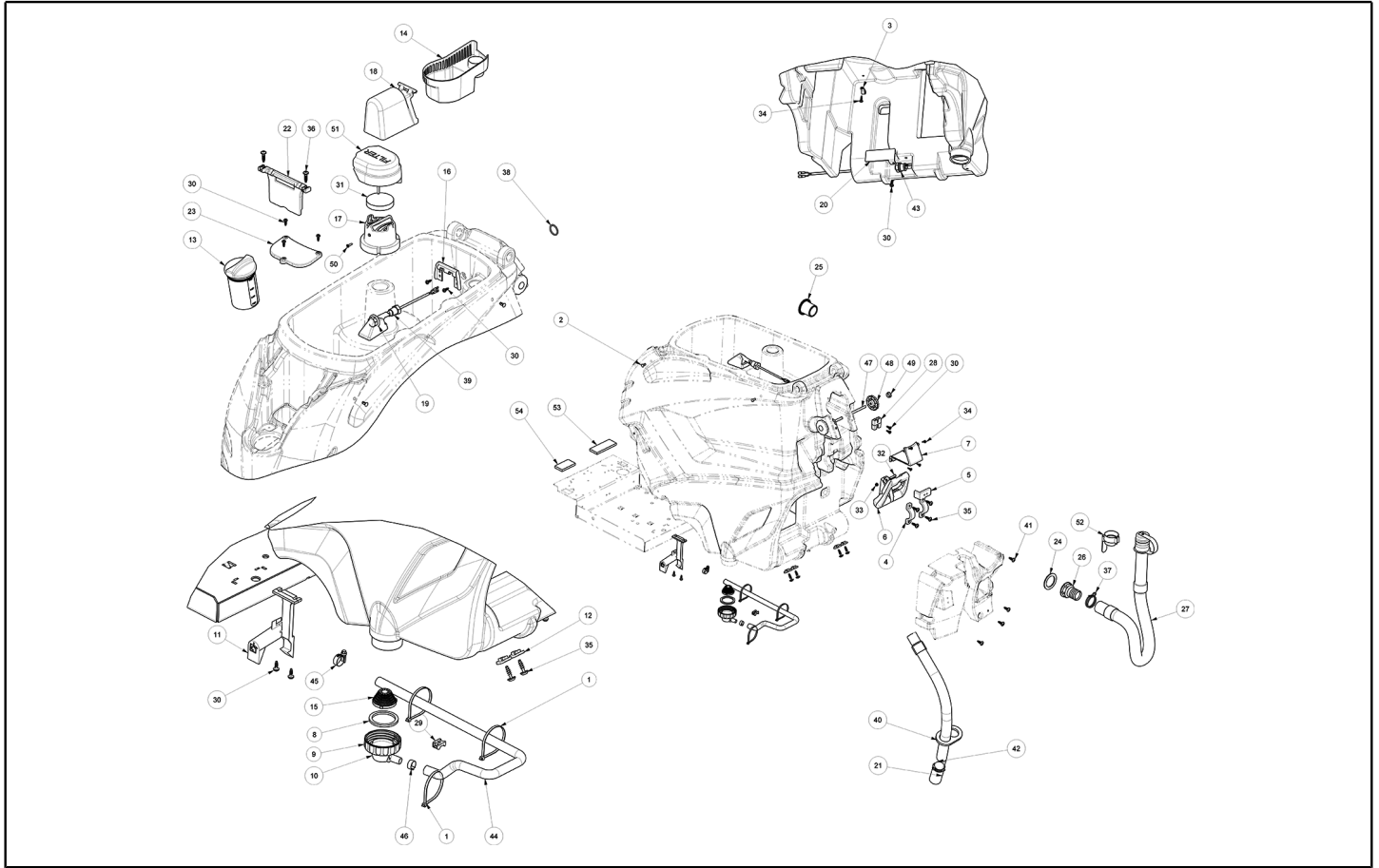
| Ref. K | Part N. | Customer Part N. | Description | Quantity | Validity | | Price |
|--------|---------|------------------|----------------------------------|----------|----------|----|-------|
| | | | | | From | To | |
| 0001 | | | HANDLE GRIP CT51 | 1,00 | | | -- |
| 0002 | | | SUPPORT - | 1,00 | | | -- |
| 0003 | | | SUPPORT - | 1,00 | | | -- |
| 0004 | | | LEVER DIRECTION CT51-71 | 1,00 | | | -- |
| 0005 | | | CAP | 1,00 | | | -- |
| 0006 | | | COVERING UPPER CT51-71 | 1,00 | | | -- |
| 0007 | 819097 | | KNOB DIALER SELECTOR CT51-71 | 1,00 | | | -- |
| 0008 | | | BOARD KEY READER CT51-71 | 1,00 | | | -- |
| 0009 | 819047 | | SELECTOR DIALER SWITCH CT51-71 | 1,00 | | | -- |
| 0010 | | | BUSHING - | 4,00 | | | -- |
| 0011 | | | COVERING CT51 | 1,00 | | | -- |
| 0012 | 814014 | | WASHER D. 8 X24 INX UNI 6593 | 4,00 | | | -- |
| 0013 | | | SCREW 8x25 | 4,00 | | | -- |
| 0014 | | | SPACER CT51/71 | 1,00 | | | -- |
| 0015 | | | SCREW M 4X 8 TCB-TC UNI 8112 | 4,00 | | | -- |
| 0016 | | | WASHER D. 5 X20 ZC UNI 6593 | 2,00 | | | -- |
| 0017 | 819048 | | MICROSWITCH - | 2,00 | | | -- |
| 0018 | | | WASHER D.2 | 4,00 | | | -- |
| 0019 | | | SCREW TC 2X12 | 4,00 | | | -- |
| 0020 | | | NUT M2 | 4,00 | | | -- |
| 0021 | | | WIRING CONNECTION RFID REED | 1,00 | | | -- |
| 0022 | | | SCREW TCB TC 5 X10 UNI 9707 TZ | 5,00 | | | -- |
| 0023 | | | BOARD DISPLAY CT51 BT-XP | 1,00 | | | -- |
| 0024 | 819050 | | POTENTIOMETER . | 1,00 | | | -- |
| 0025 | | | SCREW M 4X 10 TCB-TC INX | 2,00 | | | -- |
| 0026 | | | SCREW 4X16 | 8,00 | | | -- |
| 0027 | | | GASKET | 1,00 | | | -- |
| 0028 | 817206 | | WASHER D. 4 GROVER A2 UNI1751 | 2,00 | | | -- |
| 0029 | | | BATTERY SUPPORT CT LINE | 1,00 | | | -- |
| 0030 | 810256 | | PLUG M CB50 A 600V RD. | 1,00 | | | -- |
| 0031 | 816985 | | WASHER D. 5 INX | 4,00 | | | -- |
| 0032 | 816659 | | WIRING BATTERY BRIDGE W/TERMINAL | 1,00 | | | -- |
| 0033 | | | SCREW | 4,00 | | | -- |
| 0034 | 819061 | | KEY COMPLETE WITH RFID | 2,00 | | | -- |
| 0035 | 819098 | | BOARD TRACTION CT51-71 COMPLETE | 1,00 | | | -- |
| 0036 | | | WIRING MAIN HARNESS CT51 | 1,00 | | | -- |
| 0037 | | | BRACKET - | 1,00 | | | -- |
| 0038 | | | WASHER D. 4 INX | 4,00 | | | -- |
| 0039 | 817394 | | CONTACTOR 100A | 1,00 | | | -- |
| 0040 | 819141 | | SCREW TSTC M3X8 | 2,00 | | | -- |
| 0041 | | | SENSOR - | 1,00 | | | -- |
| 0042 | | | CLAMP - | 1,00 | | | -- |
| 0043 | | | SCREW TSP-TC 3.9X16 UNI6955 | 1,00 | | | -- |
| 0044 | | | COVER BATTERY CHARGER CT51-71 | 1,00 | | | -- |



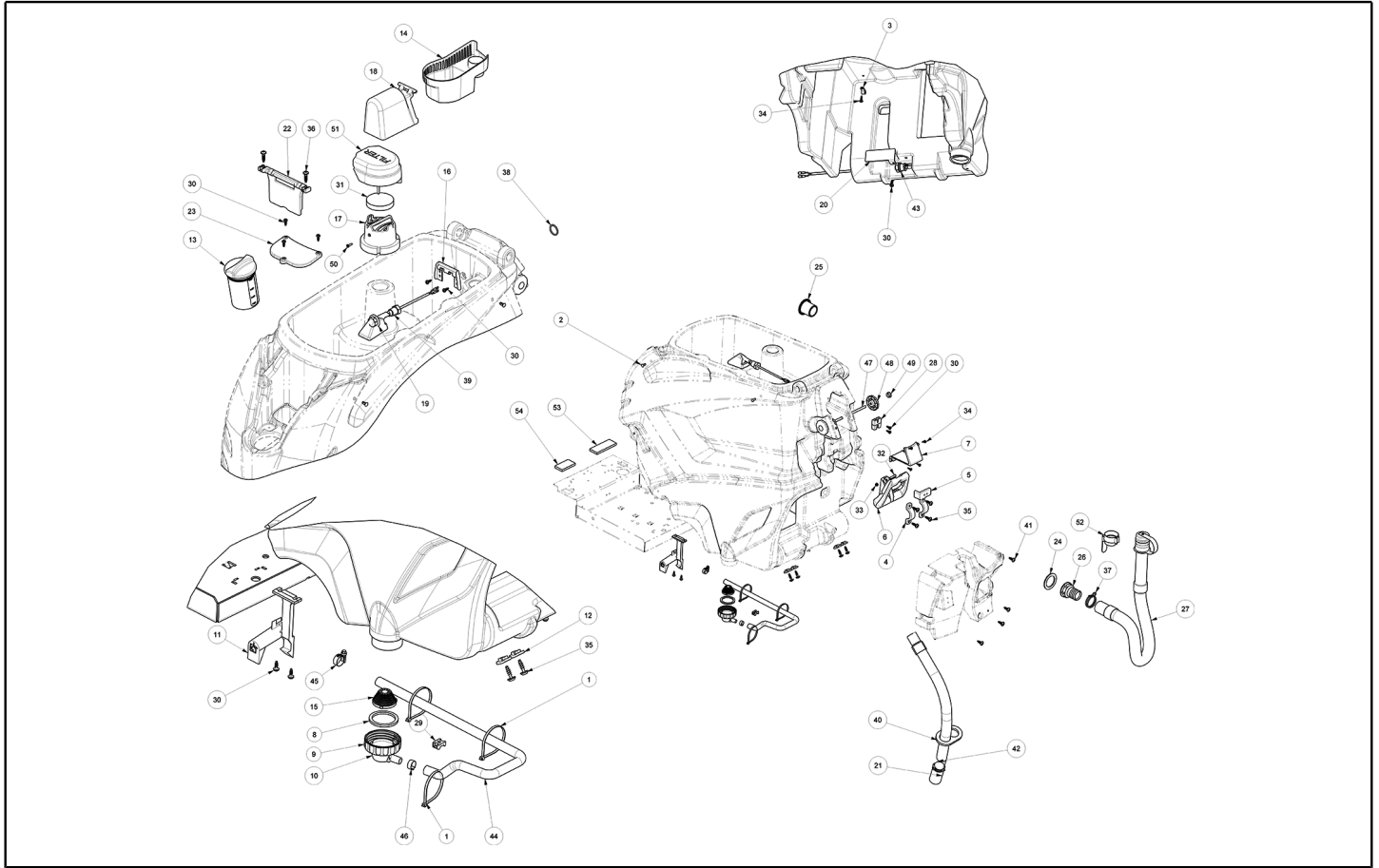
| Ref. K | Part N. | Customer Part N. | Description | Quantity | Validity | | Price |
|--------|---------|------------------|---------------------------------|----------|----------|----|-------|
| | | | | | From | To | |
| 0045 | | | WASHER STEEL INOX 4X12 | 2,00 | | | -- |
| 0046 | | | SCREW TE UNI 5739 3X25 ZB | 2,00 | | | -- |
| 0047 | | | SCREW TCB-TC 2.9X 9.5 UNI6954 | 1,00 | | | -- |
| 0048 | 819142 | | NUT M 3 AUTOBL.DIN 985 IX.A2 | 4,00 | | | -- |
| 0049 | | | SCREW 5X16 | 4,00 | | | -- |
| 0050 | | | RUBBER CT46 | 1,00 | | | -- |
| 0051 | | | SCREW TCB TC 5 X12 UNI 9707 TZ | 2,00 | | | -- |
| 0052 | | | SD-CARD - | 1,00 | | | -- |
| 0053 | | | WIRING | 1,00 | | | -- |
| 0054 | | | CORD - | 1,00 | | | -- |
| 0055 | 819122 | | WIRING | 1,00 | | | -- |
| 0056 | 816987 | | NUT M 5 INX | 8,00 | | | -- |
| 0057 | | | WASHER - | 5,00 | | | -- |
| 0058 | | | | 2,00 | | | -- |
| 0059 | | | WIRING BRUSH MOTOR THERMAL CON. | 1,00 | | | -- |



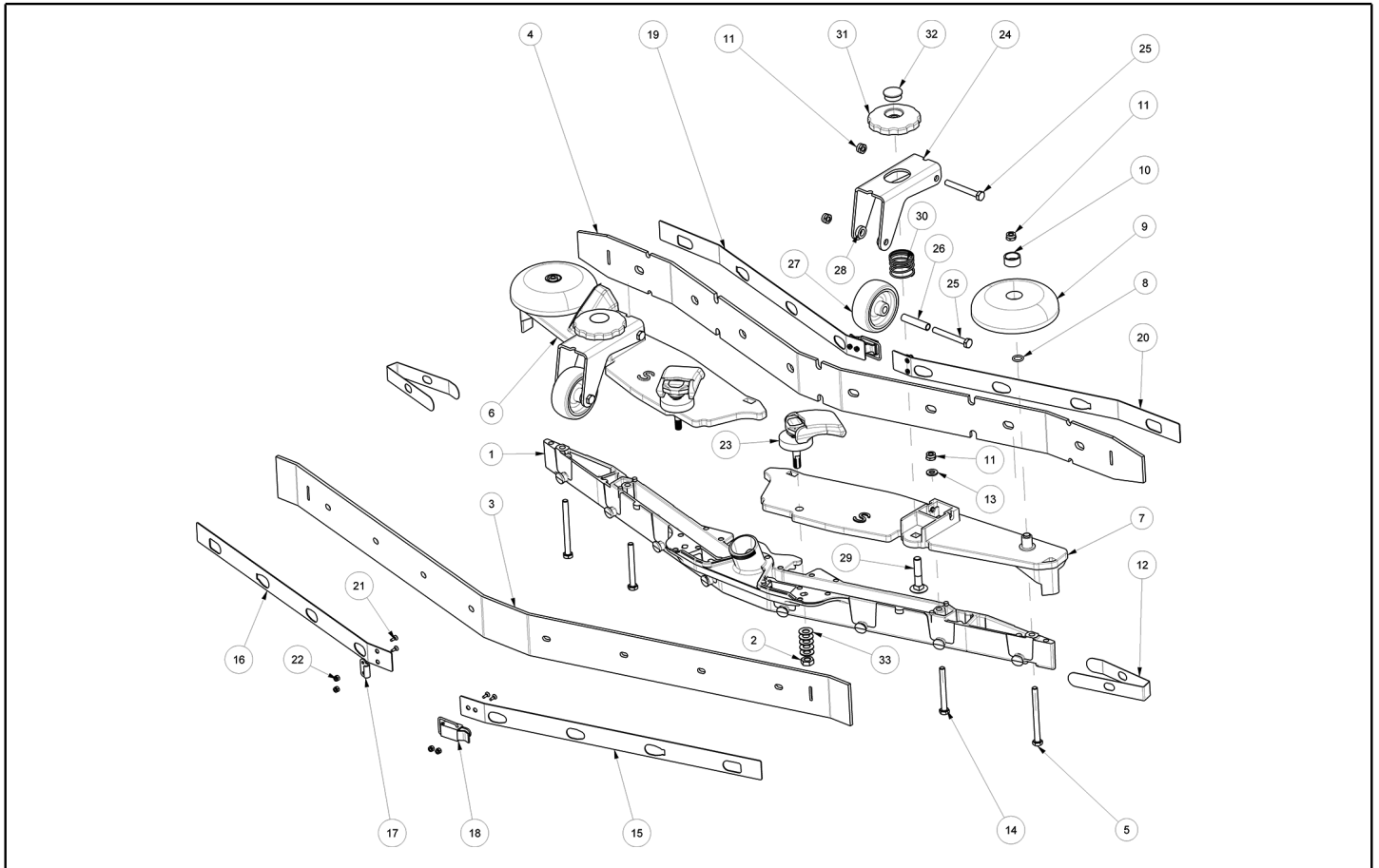
| Ref. K | Part N. | Customer Part N. | Description | Quantity | Validity | | Price |
|--------|---------|------------------|----------------------------------|----------|----------|----|-------|
| | | | | | From | To | |
| 0001 | 819073 | | COVER RECOVERY TANK EXTERNAL | 1,00 | | | -- |
| 0002 | 819123 | | LEVER CLOSURE LID CT51 | 1,00 | | | -- |
| 0003 | | | COVER RECOVERY TANK INTERNAL | 1,00 | | | -- |
| 0004 | 819051 | | GASKET RECOVERY TANK LID CT51-71 | 1,00 | | | -- |
| 0005 | | | SCREW 5X16 | 17,00 | | | -- |



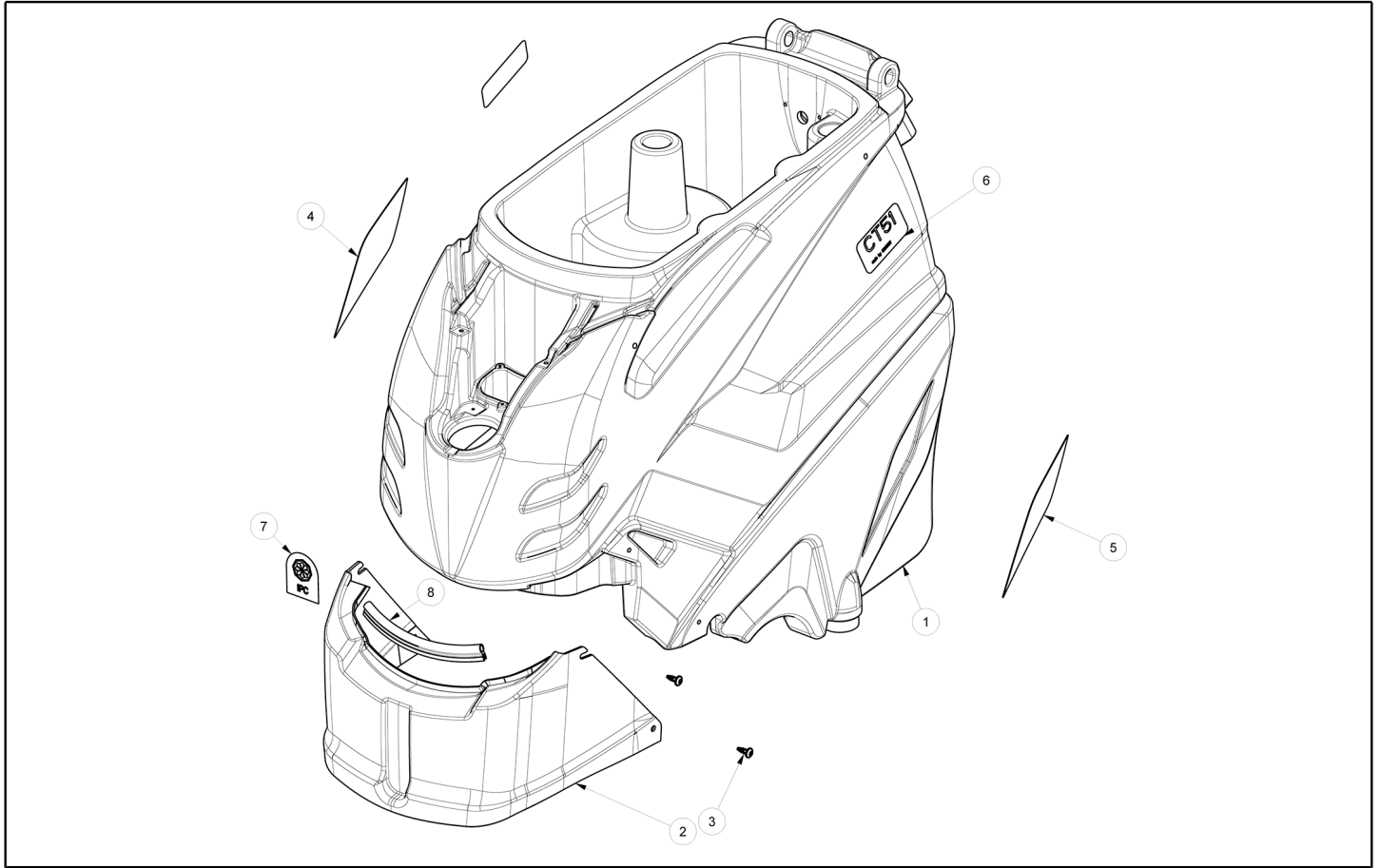
| Ref. K | Part N. | Customer Part N. | Description | Quantity | Validity | | Price |
|--------|---------|------------------|-----------------------------------|----------|----------|----|-------|
| | | | | | From | To | |
| 0001 | | | CLAMP 4,5x200 black | 3,00 | | | -- |
| 0002 | | | CLIP | 2,00 | | | -- |
| 0003 | | | DUCT LOCK D.9,5 | 1,00 | | | -- |
| 0004 | | | PLATE - | 1,00 | | | -- |
| 0005 | | | SUPPORT - | 1,00 | | | -- |
| 0006 | | | HANDLE SQUEEGEE LIFTING CT51-71 | 1,00 | | | -- |
| 0007 | | | FLANGE - | 1,00 | | | -- |
| 0008 | 819052 | | GASKET SOLUTION FILTER CT51 | 1,00 | | | -- |
| 0009 | 819086 | | CAP | 1,00 | | | -- |
| 0010 | 819085 | | HOSE FITTING SOLUTION FILTER CT51 | 1,00 | | | -- |
| 0011 | | | LEVER TANK LOCKING CT51 | 1,00 | | | -- |
| 0012 | | | SLIDE - | 4,00 | | | -- |
| 0013 | | | CAP SOLUTION TANK | 1,00 | | | -- |
| 0014 | 819124 | | FILTER DEBRIS COLLECTOR | 1,00 | | | -- |
| 0015 | 819125 | | FILTER SOLUTION TANK CT51-71 | 1,00 | | | -- |
| 0016 | | | SUPPORT - | 1,00 | | | -- |
| 0017 | 819126 | | SUPPORT FILTER CT51-71 | 1,00 | | | -- |
| 0018 | | | PROTECTION | 1,00 | | | -- |
| 0019 | | | NUT 1/2"-14 NPT PA66 | 1,00 | | | -- |
| 0020 | | | BRACKET - | 1,00 | | | -- |
| 0021 | 811805 | | TUBE SUCTION CT40-51-55-70-90 | 1,00 | | | -- |
| 0022 | | | SUPPORT - | 1,00 | | | -- |
| 0023 | | | COVER - | 1,00 | | | -- |
| 0024 | 819127 | | GASKET ACQUA SPORCA | 1,00 | | | -- |
| 0025 | | | CONNECTOR RIF .220.060 | 1,00 | | | -- |
| 0026 | | | CONNECTOR 1"1/2F d.45 | 1,00 | | | -- |
| 0027 | 819053 | | TUBE DRAIN RECOVERY TANK CT51- | 1,00 | | | -- |
| 0028 | | | JOINT TUBO | 1,00 | | | -- |
| 0029 | | | SUPPORT . | 1,00 | | | -- |
| 0030 | | | SCREW 6x16 | 10,00 | | | -- |
| 0031 | 819054 | | FILTER VACUUM MOTOR CT51 | 1,00 | | | -- |
| 0032 | | | SCREW TBEI 6X30 | 1,00 | | | -- |
| 0033 | 811884 | | NUT M6 INOX | 1,00 | | | -- |
| 0034 | | | SCREW 5X16 | 5,00 | | | -- |
| 0035 | | | SCREW 8x25 | 8,00 | | | -- |
| 0036 | | | SCREW 8x30 | 2,00 | | | -- |
| 0037 | | | CLAMP | 1,00 | | | -- |
| 0038 | | | O-RING NBR70 18X3 | 1,00 | | | -- |
| 0039 | | | SENSOR RECOVERY TANK CT51-71 | 1,00 | | | -- |
| 0040 | | | FLANGE | 1,00 | | | -- |
| 0041 | | | SCREW 8x22 | 4,00 | | | -- |
| 0042 | | | PIN - | 1,00 | | | -- |
| 0043 | 819056 | | SENSOR SOLUTION TANK CT51-71 | 1,00 | | | -- |
| 0044 | 819128 | | TUBE FLEX D.12X3 ARMORV.PVC TR | 1,00 | | | -- |



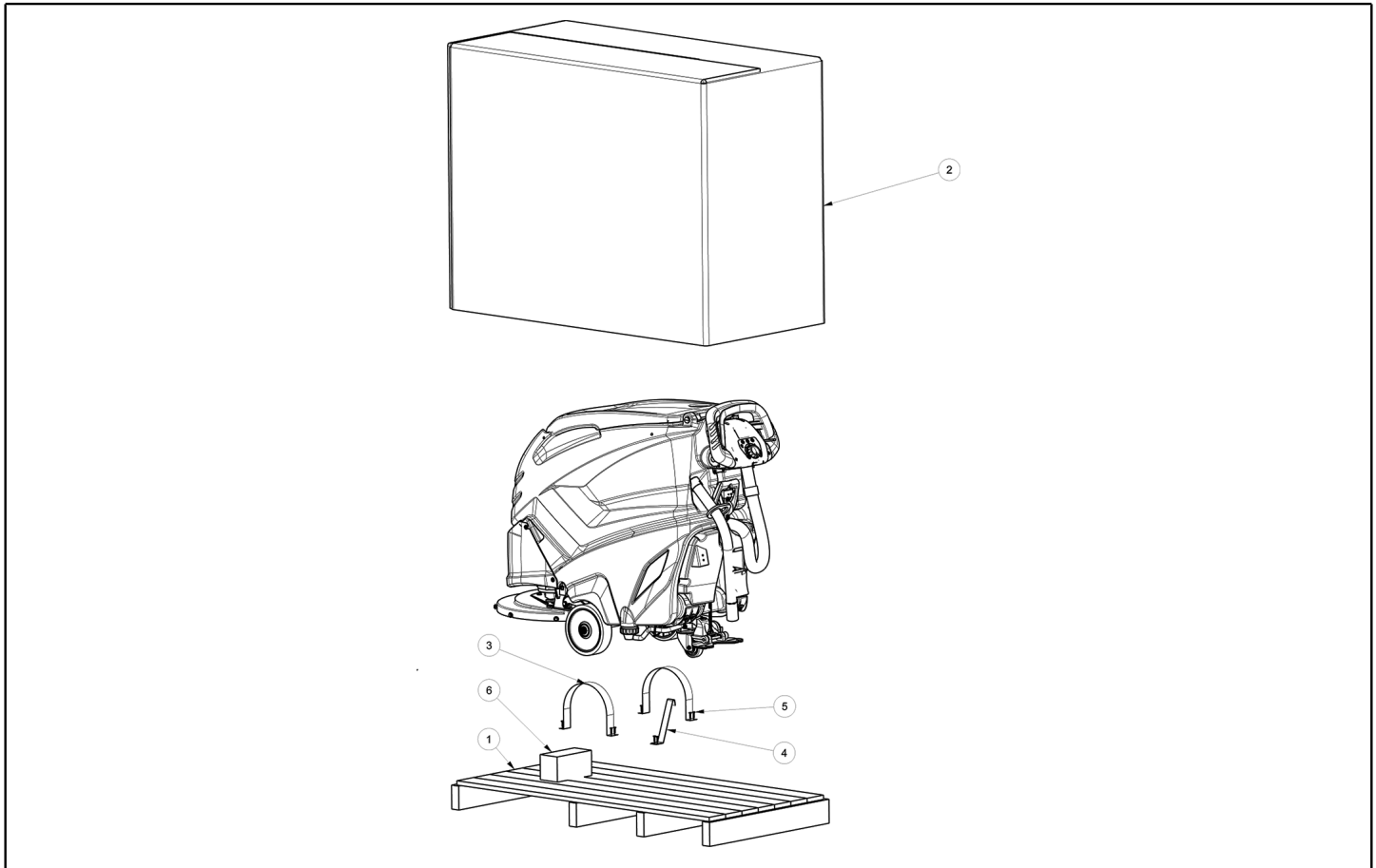
| Ref. K | Part N. | Customer Part N. | Description | Quantity | Validity | | Price |
|--------|---------|------------------|-----------------------------|----------|----------|----|-------|
| | | | | | From | To | |
| 0045 | | | CLAMP D. 12-20 | 1,00 | | | -- |
| 0046 | | | CLAMP | 1,00 | | | -- |
| 0047 | | | BAR | 1,00 | | | -- |
| 0048 | 819149 | | SMALL KNOB WHEEL ADJUSTMENT | 2,00 | | | -- |
| 0049 | 819149 | | CAP - | 2,00 | | | -- |
| 0050 | | | SCREW | 1,00 | | | -- |
| 0051 | | | COVERING FILTER CT51 | 1,00 | | | -- |
| 0052 | 810716 | | HOOK DRAIN HOSE | 1,00 | | | -- |
| 0053 | | | THICKNESS 110X40X8,5 | 1,00 | | | -- |
| 0054 | | | THICKNESS 75X40X8,5 | 1,00 | | | -- |



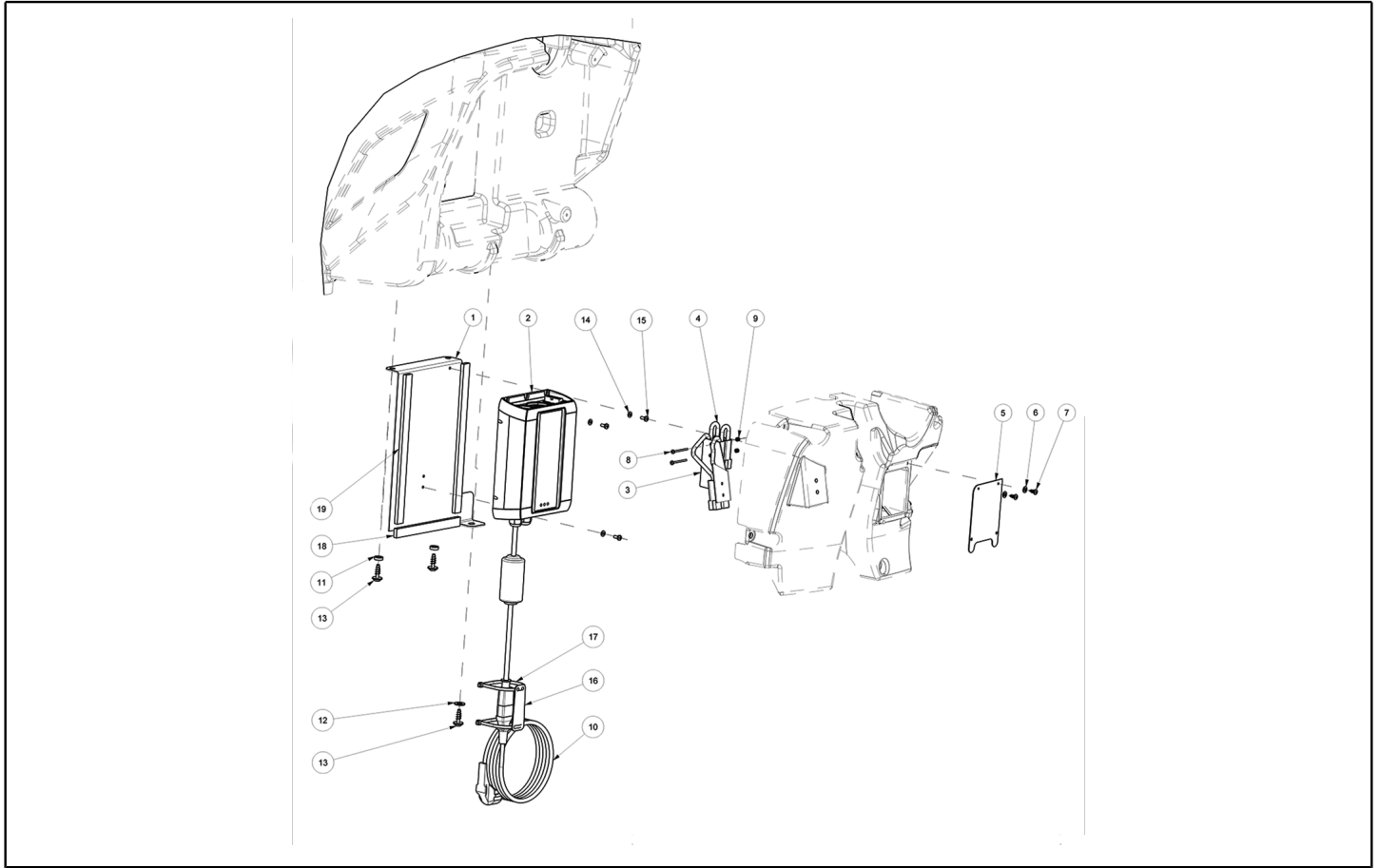
| Ref. K | Part N. | Customer Part N. | Description | Quantity | Validity | | Price |
|--------|---------|------------------|----------------------------------|----------|------------|----|-------|
| | | | | | From | To | |
| 0001 | | | BODY - | 1,00 | | | -- |
| 0002 | | | NUT M8 UNI 5589 | 2,00 | | | -- |
| 0003 | 819079 | | BLADE S LATEX | 1,00 | | | -- |
| 0004 | 819080 | | BLADE S LATEX | 1,00 | | | -- |
| 0005 | 819130 | | SCREW TE M. 6-70 | 2,00 | | | -- |
| 0006 | 819131 | | PLATE - | 1,00 | | | -- |
| 0007 | 819132 | | PLATE - | 1,00 | | | -- |
| 0008 | 819133 | | GASKET | 2,00 | | | -- |
| 0009 | 814035 | | ROLLER SIDE BUMPER WHEEL | 2,00 | | | -- |
| 0010 | 814034 | | BUSHING SHK | 2,00 | | | -- |
| 0011 | 811884 | | NUT M6 INOX | 8,00 | | | -- |
| 0012 | | | CLOSURE S | 2,00 | | | -- |
| 0013 | 806754 | | WASHER D.6 UNI 6592 INOX | 2,00 | | | -- |
| 0014 | 816798 | | SCREW TE M. 6-55 | 2,00 | | | -- |
| 0015 | 819135 | | SHEET METAL PA. - | 1,00 | | | -- |
| 0016 | 819136 | | BLADE HOLDER S SIZE POST. LEFT | 1,00 | | | -- |
| 0017 | 819137 | | SOCKET - | 2,00 | | | -- |
| 0018 | 819138 | | CLOSURE - | 2,00 | | | -- |
| 0019 | 819139 | | SHEET METAL PA. - | 1,00 | | | -- |
| 0020 | 819140 | | BLADE HOLDER S SIZE ANT. RIGHT | 1,00 | | | -- |
| 0021 | 819141 | | SCREW TSTC M3X8 | 8,00 | | | -- |
| 0022 | 819142 | | NUT M 3 AUTOBL.DIN 985 IX.A2 | 8,00 | | | -- |
| 0023 | 819078 | | HOOING SQUEEGEE CT51-71 | 2,00 | | | -- |
| 0024 | 819143 | | SUPPORT - | 2,00 | | | -- |
| 0025 | 816935 | | SCREW TE M 6X 50 INOX A2 | 4,00 | | | -- |
| 0026 | 819144 | | SPACER - | 2,00 | | | -- |
| 0027 | 819145 | | WHEEL d.60 HOLE 8 | 2,00 | | | -- |
| 0028 | 819146 | | WASHER - | 4,00 | | | -- |
| 0029 | 819147 | | SCREW M 8X 40 TTQST UNI 5731 | 2,00 | | | -- |
| 0030 | 819148 | | SPRING - | 2,00 | | | -- |
| 0031 | 819149 | | SMALL KNOB WHEEL ADJUSTMENT | 2,00 | | | -- |
| 0032 | 819149 | | CAP - | 2,00 | | | -- |
| 0033 | | | DISC SPRINGS 16x8,2x0,9 DIN 2093 | 10,00 | 14/12/2017 | | -- |



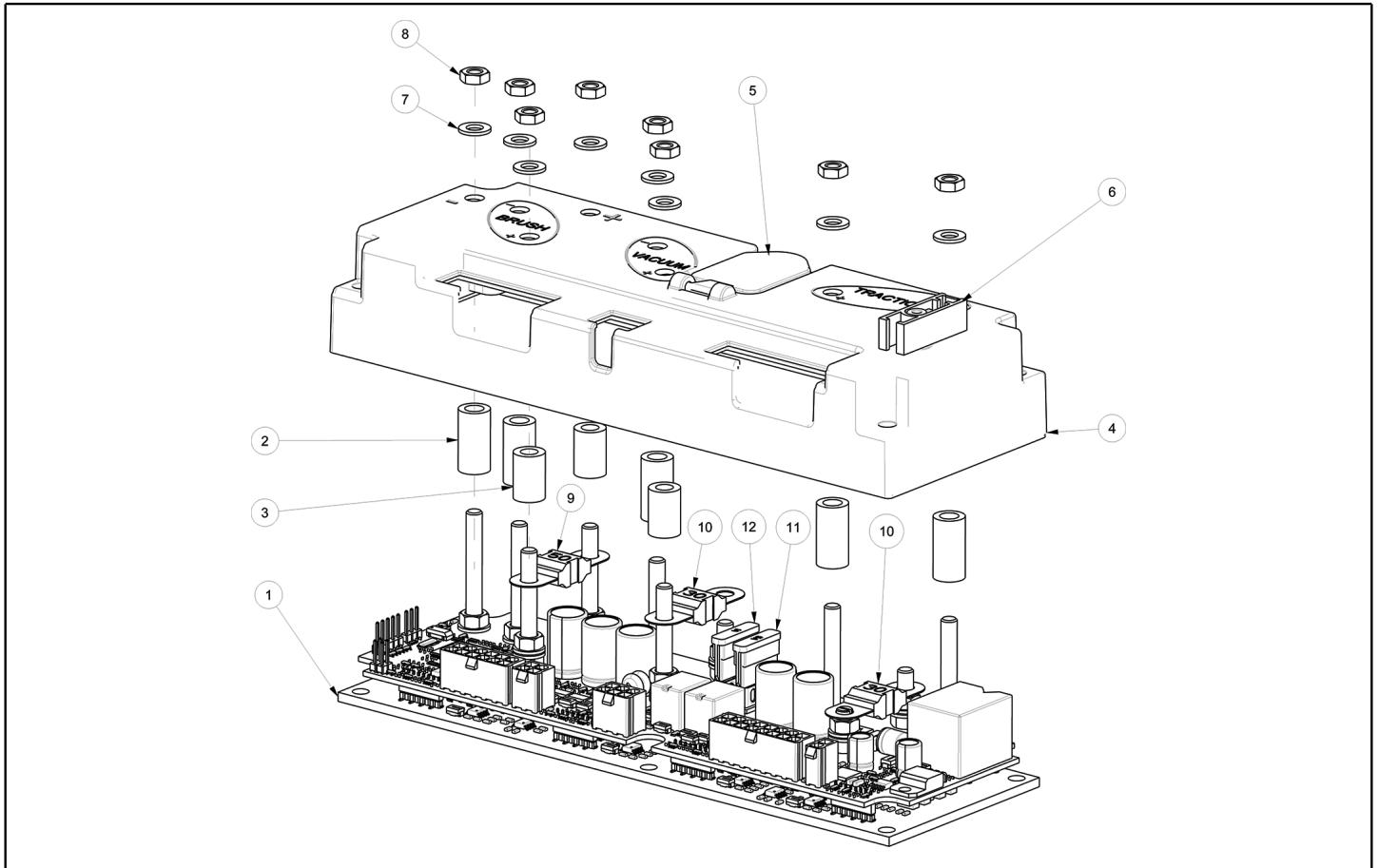
| Ref. K | Part N. | Customer Part N. | Description | Quantity | Validity | | Price |
|--------|---------|------------------|------------------------------------|----------|----------|----|-------|
| | | | | | From | To | |
| 0001 | | | TANK - | 1,00 | | | -- |
| 0002 | 819241 | | COVERING BRUSH MOTORS CT51-71 DISC | 1,00 | | | -- |
| 0003 | | | SCREW 8x22 | 4,00 | | | -- |
| 0004 | | | LABEL - | 1,00 | | | -- |
| 0005 | | | LABEL - | 1,00 | | | -- |
| 0006 | | | LABEL CT51 | 2,00 | | | -- |
| 0007 | | | LABEL - | 1,00 | | | -- |
| 0008 | | | GASKET RUBBERIZED | 0,24 | | | -- |



| Ref. K | Part N. | Customer Part N. | Description | Quantity | Validity | | Price |
|--------|---------|------------------|-------------------------------------|----------|----------|----|-------|
| | | | | | From | To | |
| 0001 | | | PALLET | 1,00 | | | -- |
| 0002 | | | CARTON | 1,00 | | | -- |
| 0003 | | | CLAMP RUOTA POSTERIORE X IMBAL. | 2,00 | | | -- |
| 0004 | | | BRACKET | 1,00 | | | -- |
| 0005 | | | SCREW AUTOF.LEGNO 4,5X25 TS BR | 10,00 | | | -- |
| 0006 | | | BODY SIDE INF. IN POLIST.400X100X90 | 0,50 | | | -- |



| Ref. K | Part N. | Customer Part N. | Description | Quantity | Validity | | Price |
|--------|---------|------------------|---------------------------------|----------|----------|----|-------|
| | | | | | From | To | |
| 0001 | | | PLATE - | 1,00 | | | -- |
| 0002 | 819171 | | BATTERY-CHARGER CBHD1-XR 24-15 | 1,00 | | | -- |
| 0003 | | | BRACKET - | 1,00 | | | -- |
| 0004 | | | WIRING CONNECTION CHARGER/BATT. | 1,00 | | | -- |
| 0005 | | | CLOSURE - | 1,00 | | | -- |
| 0006 | 816985 | | WASHER D. 5 INX | 2,00 | | | -- |
| 0007 | | | SCREW TCB TC 5 X12 UNI 9707 TZ | 2,00 | | | -- |
| 0008 | | | | 2,00 | | | -- |
| 0009 | 819142 | | NUT M 3 AUTOBL.DIN 985 IX.A2 | 2,00 | | | -- |
| 0010 | 818174 | | EXTENSION 3x0,75 SHUKO PLUG | 1,00 | | | -- |
| 0011 | 819146 | | WASHER - | 2,00 | | | -- |
| 0012 | 816795 | | WASHER D. 8 INX UNI 6592 | 1,00 | | | -- |
| 0013 | | | SCREW 8x22 | 3,00 | | | -- |
| 0014 | | | WASHER D. 4 INX | 3,00 | | | -- |
| 0015 | | | SCREW TCB-TC 4X10 8112 | 3,00 | | | -- |
| 0016 | | | PLATE - | 1,00 | | | -- |
| 0017 | | | CLAMP 4.5x200 black | 2,00 | | | -- |
| 0018 | | | GASKET CT51 | 1,00 | | | -- |
| 0019 | | | GASKET CT51 | 2,00 | | | -- |



| Ref. K | Part N. | Customer Part N. | Description | Quantity | Validity | | Price |
|--------|---------|------------------|----------------------------------|----------|----------|----|-------|
| | | | | | From | To | |
| 0001 | 819057 | | BOARD TRACTION CT51-71 | 1,00 | | | -- |
| 0002 | 819151 | | SPACER | 5,00 | | | -- |
| 0003 | 819152 | | | 3,00 | | | -- |
| 0004 | 819153 | | COVERING ELECTRONIC BOARD CT51BT | 1,00 | | | -- |
| 0005 | | | COVER PLASTIC FUSE BOX CT51 | 1,00 | | | -- |
| 0006 | 819155 | | FUSE EXTRACTOR | 1,00 | | | -- |
| 0007 | 816985 | | WASHER D. 5 INX | 8,00 | | | -- |
| 0008 | | | | 8,00 | | | -- |
| 0009 | 817506 | | FUSE 50A OMEGA FT3050 | 1,00 | | | -- |
| 0010 | 817510 | | FUSE 30A OMEGA FT3030 | 2,00 | | | -- |
| 0011 | 819156 | | FUSE 5A | 1,00 | | | -- |
| 0012 | 819157 | | FUSE 1A | 1,00 | | | -- |